

Avide LED Ceiling Lamp Recessed Panel Round ALU 18W NW 4000K

| | |
|-------------------------|---|
| Product code: | ACRPNW-R-18W-ALU |
| Brand link: | avidelighting.com/qr/ACRPNW-R-18W-ALU |
| ID: | AB-190518 |
| Company name: | Bramcke Hungary Kft. |
| Company address: | Kisatár utca 17., 4031 Debrecen |

QR code:



Date of issue: 2024-10-03

Page: 1/3

SPECIFICATIONS

| | |
|----------------------|----------------|
| EAN code: | 5999562288900 |
| Warranty: | 3year(s) |
| Material: | Aluminium |
| Working temperature: | -20 - +40°C |
| Packaging: | 1/b 20/c 400/p |
| Certifications: | CE |

TECHNICAL DETAILS

| | |
|--------------------|----------|
| Wattage: | 18W |
| Voltage: | 220-240V |
| Beam angle: | 120° |
| Dimmability: | No |
| Lumen output: | 1 490lm |
| Color temperature: | 4 000K |
| Lifetime: | 25 000h |
| Energy class: | |
| Type of LED: | SMD |
| IP standard: | IP20 |

BOX PICTURE



Avide LED Ceiling Lamp Recessed Panel Round ALU 18W NW 4000K

Product code: ACRPNW-R-18W-ALU
Brand link: avidelighting.com/qr/ACRPNW-R-18W-ALU
ID: AB-190518
Company name: Bramcke Hungary Kft.
Company address: Kishatár utca 17., 4031 Debrecen



Date of issue: 2024-10-03

Page: 2/3

PRODUCT SIZE

Diameter: 220mm
Height:
Cut out size: 201mm

CARDBOARD BOX

EAN: 5999562288900
Packaging: 1/b 20/c 400/p
Dimensions: 250mm x 32mm x 255mm
Net weight: 370g
Gross weight: 431g

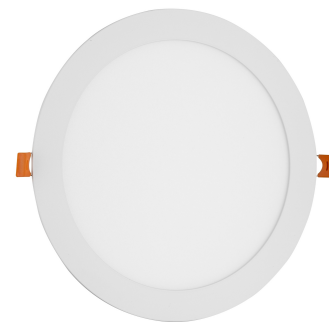
CARTON

EAN: 5999562288917
Packaging: 1/b 20/c 400/p
Dimensions: 525mm x 360mm x 285mm
Net weight: 7.4kg
Gross weight: 8.62kg

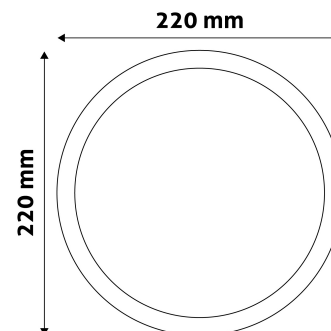
PALLET EXAMPLE

Height:
Width: 120cm (std Euro pallet)
Mepth: 80cm (std Euro pallet)
Cartons per pallet: 20carton/pallet
Cartons per row:
Net weight: 148kg
Gross weight: 172.4kg

PRODUCT PICTURE



PRODUCT OUTLINE



Avide LED Ceiling Lamp Recessed Panel Round ALU 18W NW 4000K

Product code: ACRPNW-R-18W-ALU
Brand link: avidelighting.com/qr/ACRPNW-R-18W-ALU
ID: AB-190518
Company name: Bramcke Hungary Kft.
Company address: Kishatár utca 17., 4031 Debrecen

QR code:



Date of issue: 2024-10-03

Page: 3/3

PRODUCT DESCRIPTION