

**Avide GU10 Frame Square Swivel Copper**

**Product code:** ABGU10F-SS-CO  
**Brand link:** [avidelighting.com/qr/ABGU10F-SS-CO](http://avidelighting.com/qr/ABGU10F-SS-CO)  
**ID:** AB-190518  
**Company name:** Bramcke Hungary Kft.  
**Company address:** Kishatár utca 17., 4031 Debrecen



Date of issue: 2025-01-15

Page: 1/3

**SPECIFICATIONS**

**EAN code:** 5999097911786  
**Warranty:** 2year(s)  
**Socket:** GU10  
**Color:** Copper  
**Material:** Metal  
**Working temperature:**  
**Packaging:** 1/b 100/c 3000/p  
**Certifications:** CE

**TECHNICAL DETAILS**

**Wattage:**  
**Voltage range:** 220-240V  
**Inner diameter:** 55mm  
**Cut out size:** 65mm  
**Swivel:** Yes  
**IP standard:** IP20

**BOX PICTURE**



## Avide GU10 Frame Square Swivel Copper

**Product code:** ABGU10F-SS-CO  
**Brand link:** [avidelighting.com/qr/ABGU10F-SS-CO](https://avidelighting.com/qr/ABGU10F-SS-CO)  
**ID:** AB-190518  
**Company name:** Bramcke Hungary Kft.  
**Company address:** Kishatár utca 17., 4031 Debrecen



**Date of issue:** 2025-01-15

**Page:** 2/3

### PRODUCT SIZE

**Width:** 81mm  
**Height:** 26mm

### CARDBOARD BOX

**EAN:** 5999097911786  
**Packaging:** 1/b 100/c 3000/p  
**Dimensions:** 85mm x 105mm x 37mm  
**Net weight:** 103.5g  
**Gross weight:** 120g

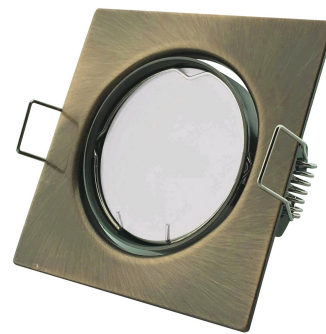
### CARTON

**EAN:** 5999097911694  
**Packaging:** 1/b 100/c 3000/p  
**Dimensions:** 545mm x 220mm x 360mm  
**Net weight:** 10.35kg  
**Gross weight:** 12kg

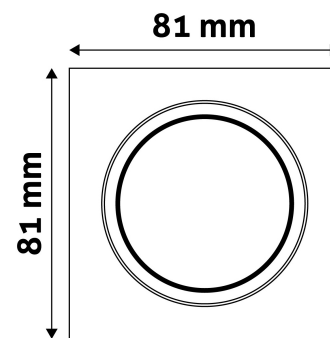
### PALLET EXAMPLE

**Height:**  
**Width:** 120cm (std Euro pallet)  
**Depth:** 80cm (std Euro pallet)  
**Cartons per pallet:** 30carton/pallet  
**Cartons per row:**  
**Net weight:** 310.5kg  
**Gross weight:** 360kg

### PRODUCT PICTURE



### PRODUCT OUTLINE



## Avide GU10 Frame Square Swivel Copper

**Product code:** ABGU10F-SS-CO  
**Brand link:** [avidelighting.com/qr/ABGU10F-SS-CO](https://avidelighting.com/qr/ABGU10F-SS-CO)  
**ID:** AB-190518  
**Company name:** Bramcke Hungary Kft.  
**Company address:** Kishatár utca 17., 4031 Debrecen

QR code:



**Date of issue:** 2025-01-15

**Page:** 3/3

### PRODUCT DESCRIPTION