

## Avide GU10 Frame Square Swivel Satin Nickel

<b>Product code:</b>	ABGU10F-SS-SN
<b>Brand link:</b>	<a href="https://avidelighting.com/qr/ABGU10F-SS-SN">avidelighting.com/qr/ABGU10F-SS-SN</a>
<b>ID:</b>	AB-190518
<b>Company name:</b>	Bramcke Hungary Kft.
<b>Company address:</b>	Kisatár utca 17., 4031 Debrecen

QR code:



Date of issue: 2025-01-15

Page: 1/3

### SPECIFICATIONS

EAN code:	5999097917207
Warranty:	2year(s)
Socket:	GU10
Color:	Satin nickel
Material:	Metal
Working temperature:	
Packaging:	1/b 100/c 3000/p
Certifications:	CE

### TECHNICAL DETAILS

Wattage:	
Voltage range:	220-240V
Inner diameter:	55mm
Cut out size:	65mm
Swivel:	Yes
IP standard:	IP20

### BOX PICTURE



## Avide GU10 Frame Square Swivel Satin Nickel

**Product code:** ABGU10F-SS-SN  
**Brand link:** [avidelighting.com/qr/ABGU10F-SS-SN](https://avidelighting.com/qr/ABGU10F-SS-SN)  
**ID:** AB-190518  
**Company name:** Bramcke Hungary Kft.  
**Company address:** Kishatár utca 17., 4031 Debrecen



**QR code:**  
**Date of issue:** 2025-01-15  
**Page:** 2/3

### PRODUCT SIZE

**Width:** 81mm  
**Height:** 26mm

### CARDBOARD BOX

**EAN:** 5999097917207  
**Packaging:** 1/b 100/c 3000/p  
**Dimensions:** 85mm x 105mm x 37mm  
**Net weight:** 103.5g  
**Gross weight:** 120g

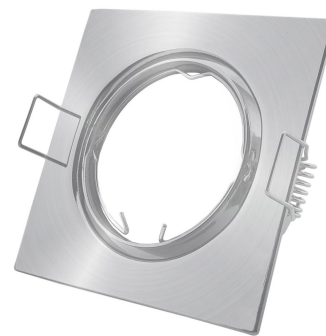
### CARTON

**EAN:** 5999097917214  
**Packaging:** 1/b 100/c 3000/p  
**Dimensions:** 545mm x 220mm x 360mm  
**Net weight:** 10.35kg  
**Gross weight:** 12kg

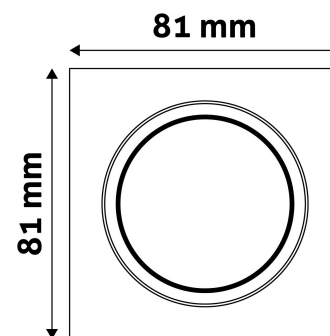
### PALLET EXAMPLE

**Height:**  
**Width:** 120cm (std Euro pallet)  
**Meprh:** 80cm (std Euro pallet)  
**Cartons per pallet:** 30carton/pallet  
**Cartons per row:**  
**Net weight:** 310.5kg  
**Gross weight:** 360kg

### PRODUCT PICTURE



### PRODUCT OUTLINE



## Avide GU10 Frame Square Swivel Satin Nickel

**Product code:** ABGU10F-SS-SN  
**Brand link:** [avidelighting.com/qr/ABGU10F-SS-SN](https://avidelighting.com/qr/ABGU10F-SS-SN)  
**ID:** AB-190518  
**Company name:** Bramcke Hungary Kft.  
**Company address:** Kishatár utca 17., 4031 Debrecen

QR code:



**Date of issue:** 2025-01-15

**Page:** 3/3

### PRODUCT DESCRIPTION